

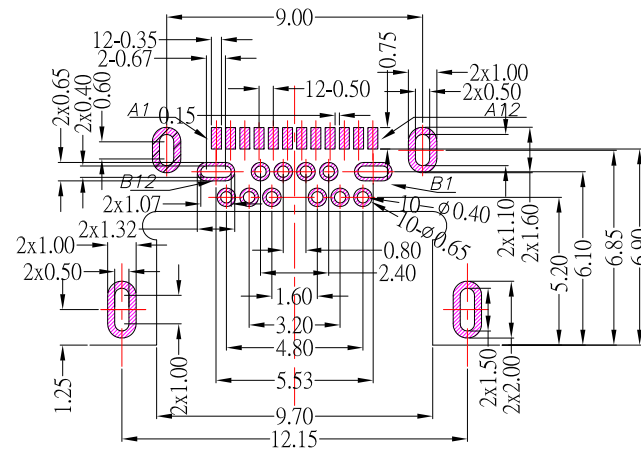
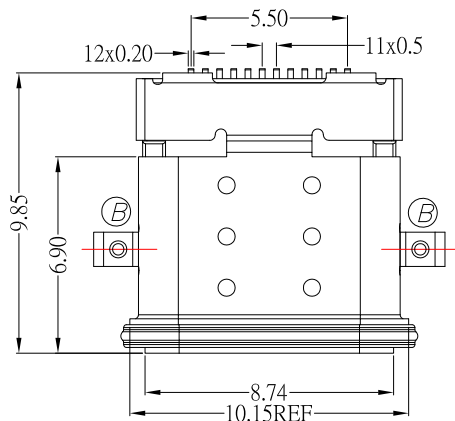


IPX7

SBC-WP240M3-31x-S347

鍍層厚度:

Blank : 1u"
2 : 15u"
3 : 30u"



P.C.B LAYOUT MOUNTING PATTERN

SPECIFICATIONS

Electrical:

- Rating: 3.0A
- Contact Resistance: 40 mΩ Max
- Insulation Resistance: 100 MΩ Min
- Dielectric Withstanding Voltage: 100V AC

Mechanical:

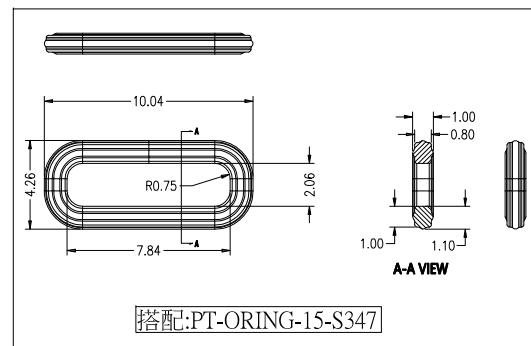
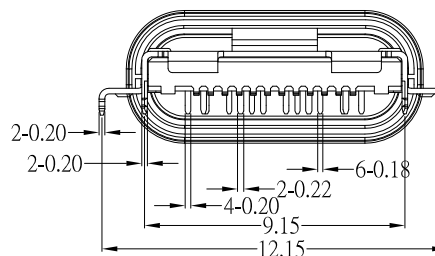
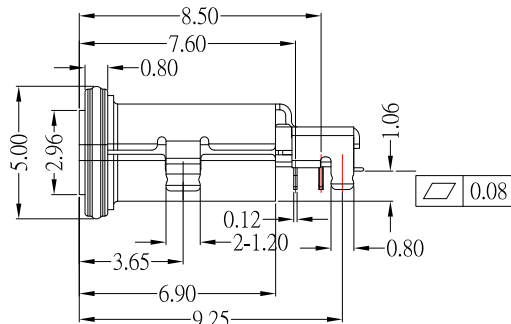
- Connector Mate and Unmate Force
 - Mate force: 5~20 N
 - Unmate force: 8~20 N

Material:

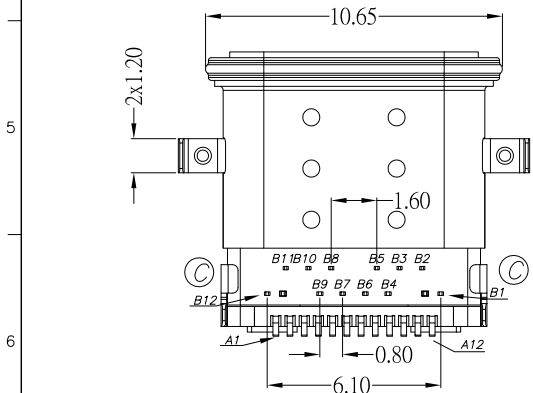
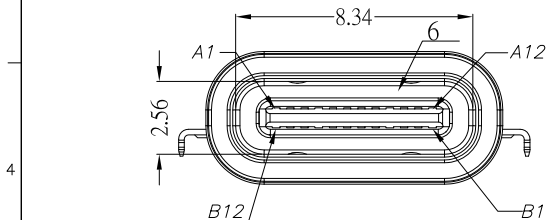
- Housing: PA9T
- Contact: C7025
- Shell: SUS

Finish:

- Contact: Plated Gold in Mating Area ;
Tin Plated on Solder Balls ;
Nickel under plated overall
- Shell: Nickel under Plated surface layer



搭配記:PT-ORING-15-S347



A1	GND	B12	GND
A2	SSTXP1	B11	SSRXP1
A3	SSTXN1	B10	SSRXN1
A4	VBUS	B9	VBUS
A5	CC1	B8	SBU2
A6	DP1	B7	DN2
A7	DN1	B6	DP2
A8	SBU1	B5	CC2
A9	VBUS	B4	VBUS
A10	SSRXN2	B3	SSTXN2
A11	SSRXP2	B2	SSTXP2
A12	GND	B1	GND
PIN	SIGNAL NAME	PIN	SIGNAL NAME

8	更新樣式	Jack	120622
7	更新材質	Jack	121421
6	更新尺寸	Jack	100121
5	新增尺寸	Jack	071621
4	新增PCB LAYOUT尺寸	Jack	062521
3	新增防水膠圈尺寸	Jack	081420
2	新增防水等級	Jack	052920
1	更新圖面	Jack	031119
ITEM NO.	DESCRIPTION	DRAWN	DATE

CONTACT 建倚科技股份有限公司
CONTACT TECHNOLOGY CORP.

TOLERANCE UNLESS OTHERWISE STATED:

Up to 5 ±0.2
 Above 5 ~ 15 ±0.3
 Above 15 ~ 30 ±0.4
 Above 30 ~ 50 ±0.5
 Angle ±0.3°

3RD. ANGEL'S



UNITS MM

DRAWN BY:	DATE	MAT'L	TITLE	CONNECTOR
Jack Lu	12/06/22	FINISH	MODLE	USB 3.1 TYPE C 沉板式防水型 IPX7
CHECKED BY:	DATE	SCALE	DWG NO.	SBC-WP240M3-31x-S347
Jacky Chen	12/06/22	1 : 1	PART NO.	SBC-WP240M3-31x-S347
APPROVED BY:	DATE	SHEET NO.	1 of 2	SIZE A4
Tony Kao	12/06/22	VER	R8	